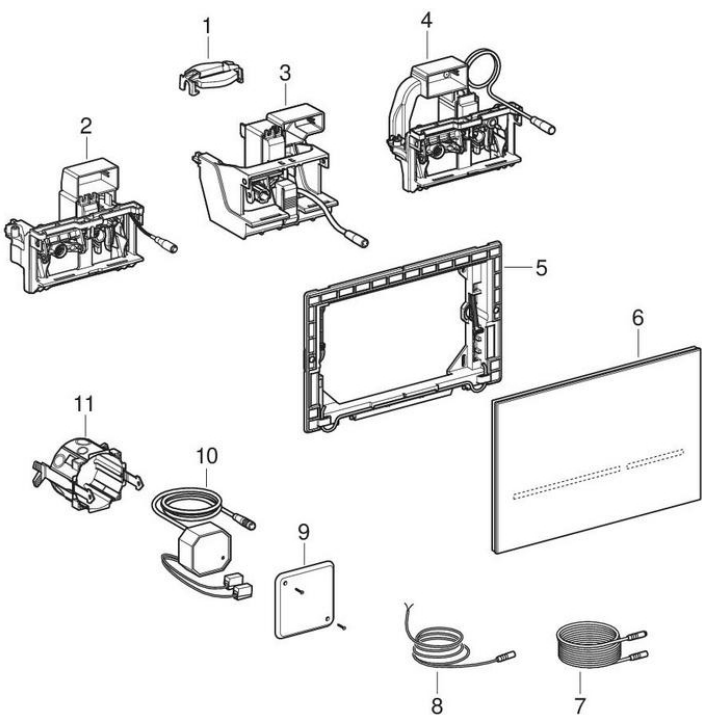


WC flush controls with electronic flush actuation, mains operation, dual flush, actuator plate Sigma80, touchless

2012 - 2022



Brand Geberit

Type Sigma80

Characteristics

Year of manufacture from	2012
Year of manufacture until	2022
Dimensions / Design	Sigma80 actuator plate: 24.6 x 16.4 cm

Valid for articles

116.090.SG.1	116.090.SM.1	116.091.SG.1	116.091.SM.1
116.092.SG.1	116.092.SM.1		

#	Art. no.	Description
1	242.975.11.1	Geberit handle crown for flush valve: white alpine
3	241.150.00.1	Geberit lifting device with servomotor, for WC flush control with electronic flush actuation
4	243.356.00.1	Geberit electronic lifting device for Sigma concealed cistern 8 cm (from year of manufacture 2016)
5	242.617.00.1	Geberit mounting frame for actuator plate Sigma80
6	242.618.SG.1	Geberit actuator plate Sigma80 for dual flush: black
6	242.618.SM.1	Geberit actuator plate Sigma80 for dual flush: mirrored
7	241.831.00.1	Geberit extension for mains cable, 4.1 V
8	242.658.00.1	Geberit connection cable for actuator plate Sigma80
9	241.161.00.1	Geberit cover for housing of electric socket
10	241.149.00.1	Geberit power supply unit
11	241.302.00.1	Geberit housing for electric socket, for power supply unit