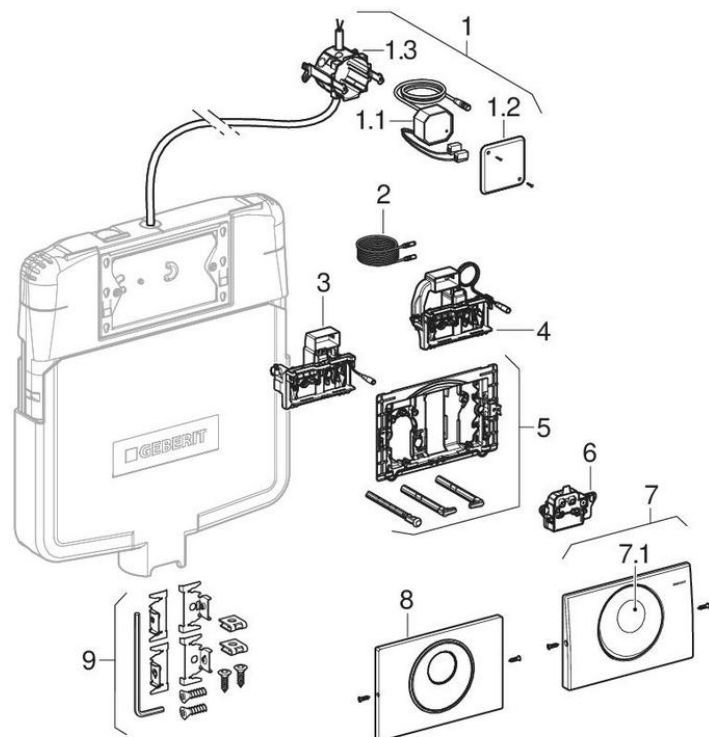


WC flush controls with electronic flush actuation, mains operation, dual flush, actuator plate Mambo, touchless

2010 - 2022



Brand Geberit

Type Mambo, Sigma10

Characteristics

Year of manufacture from	2010
Year of manufacture until	2022
Dimensions / Design	Mambo actuator plate
Range	HyTronic

Valid for articles

115.855.SN.5 115.856.SN.1

Related spare parts

- Sigma concealed cisterns 8 cm, front actuation (UP720)

#	Art. no.	Description	Replaced by
1	115.861.00.1	Geberit installation set for WC flush controls with electronic flush actuation, 4.1 V	115.861.00.6
1.1	241.149.00.1	Geberit power supply unit	
1.2	241.161.00.1	Geberit cover for housing of electric socket	
1.3	241.302.00.1	Geberit housing for electric socket, for power supply unit	
2	241.831.00.1	Geberit extension for mains cable, 4.1 V	
4	243.356.00.1	Geberit electronic lifting device for Sigma concealed cistern 8 cm (from year of manufacture 2016)	
5	242.425.00.1	Geberit mounting frame for actuator plate Mambo	
6	241.476.00.1	Geberit electronics module for WC flush control with electronic flush actuation	
7	241.477.00.1	Geberit actuator plate Mambo, for WC flush control with electronic flush actuation	
7.1	241.478.00.1	Geberit IR window for WC flush control with electronic flush actuation	
8	242.781.SN.1	Geberit actuator plate Sigma10, for WC flush control with electronic flush actuation: brushed, polished, B=24.6cm, H=16.4cm, T=1.5cm, Material designation=Stainless steel	
9	241.877.00.1	Geberit fastening material for actuator plates Sigma and Delta (2 pc.)	