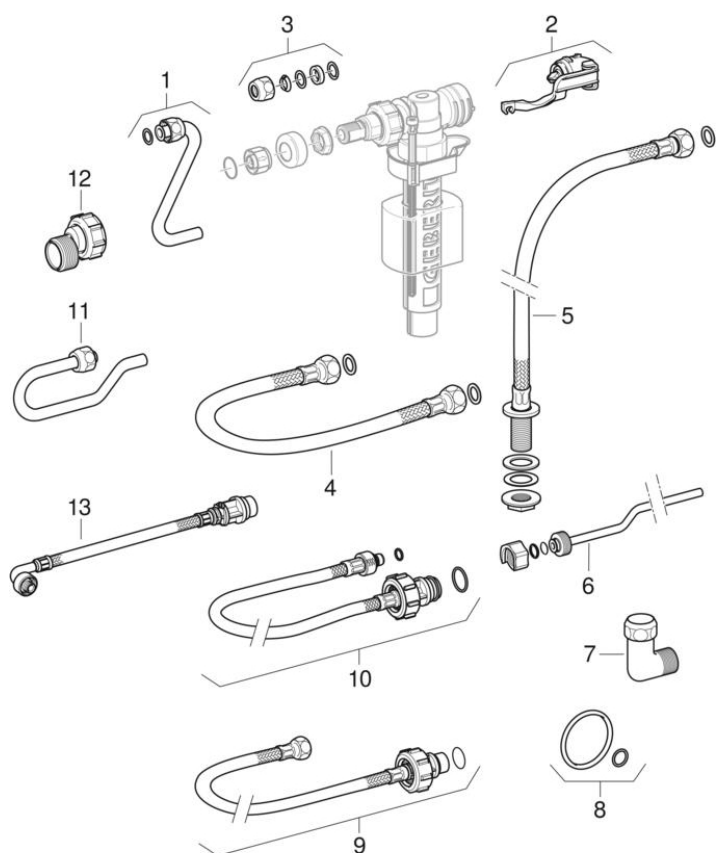


## Fill valves type 380, lateral water supply connection

1999 -



**Brand** Geberit  
**Series** Serie irrelevant  
**Type** Typ 380, Typ 380AG

**Characteristics**

|                          |                        |
|--------------------------|------------------------|
| Year of manufacture from | 1999                   |
| Range                    | Filling valve type 380 |

**Valid for articles**

|              |              |              |              |
|--------------|--------------|--------------|--------------|
| 240.700.00.1 | 240.705.00.1 | 240.714.00.1 | 240.718.00.1 |
| 240.719.00.1 | 240.784.00.1 | 242.388.00.1 | 281.004.00.1 |
| 242.984.00.1 | 242.985.00.1 |              |              |

| #  | Art. no.     | Description   | Replacement for | Remarks               |
|----|--------------|---|-----------------|-----------------------|
| 1  | 240.710.00.1 | Geberit connection pipe for fill valve type 380                               |                 |                       |
| 2  | 240.771.00.1 | Geberit operating part set for fill valve type 380                            |                 |                       |
| 4  | 240.069.00.1 | Geberit reinforced braided hose   |                 |                       |
| 5  | 261.358.00.1 | Geberit connection hose with union nut, for fill valve type 380               |                 |                       |
| 6  | 240.047.00.1 | Geberit connection pipe for fill valve type 380                               |                 |                       |
| 7  | 240.712.00.1 | Geberit elbow adapter union   |                 |                       |
| 8  | 240.922.00.1 | Geberit set of seals for reinforced braided hose                              |                 |                       |
| 9  | 240.989.00.1 | Geberit reinforced braided hose   | 216.602.00.1    | For exposed cistern   |
| 10 | 240.921.00.1 | Geberit reinforced braided hose for concealed cistern: DN=8, L=33.3cm, G=3/8" |                 | For concealed cistern |
| 11 | 240.017.00.1 | Geberit rear centre water supply connection set                               |                 |                       |
| 12 | 240.711.00.1 | Geberit eccentric pipe connector for fill valve type 380                      |                 |                       |
| 13 | 240.629.00.1 | Geberit reinforced braided hose for Kappa concealed cistern 15 cm             | 240.846.00.1    |                       |